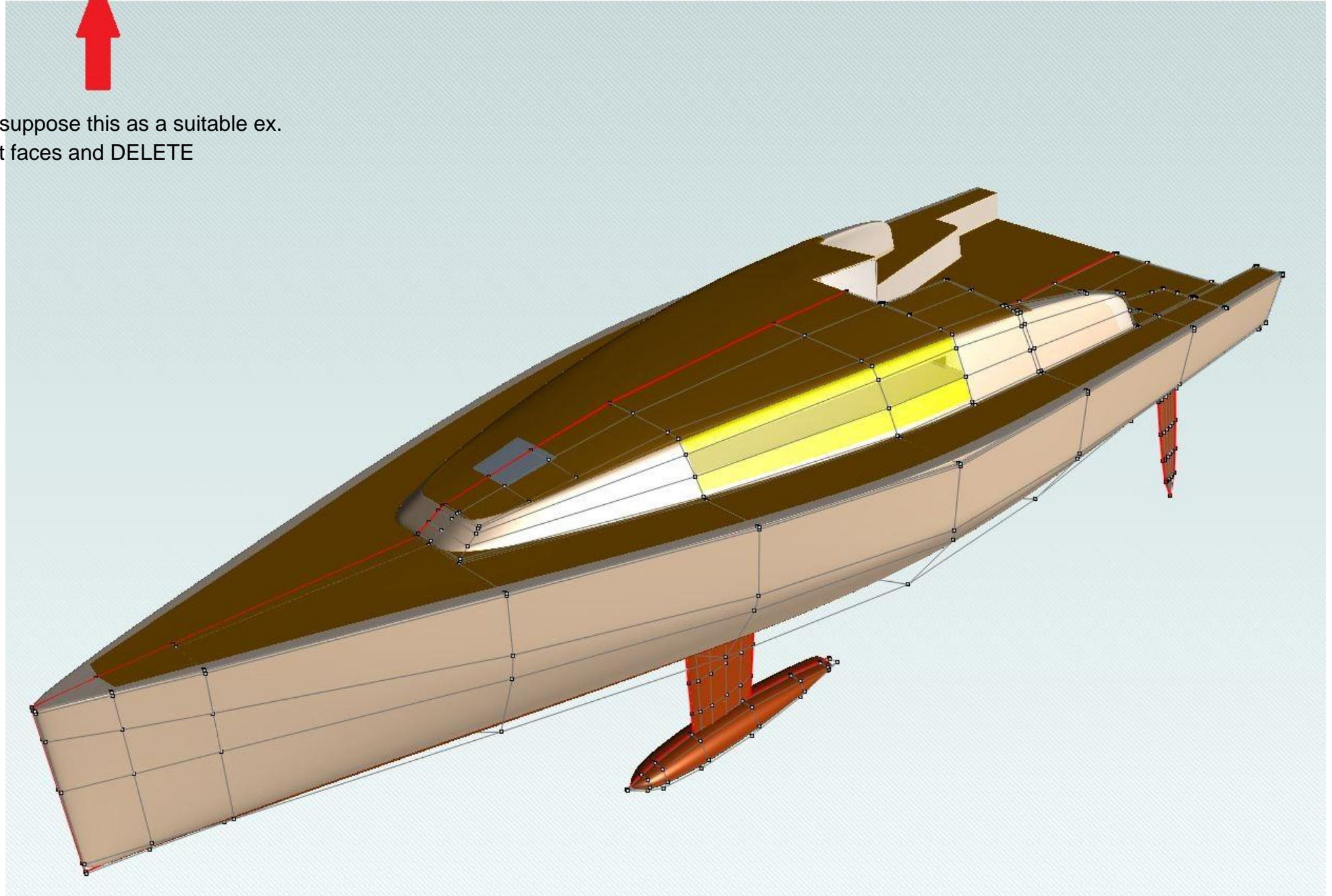


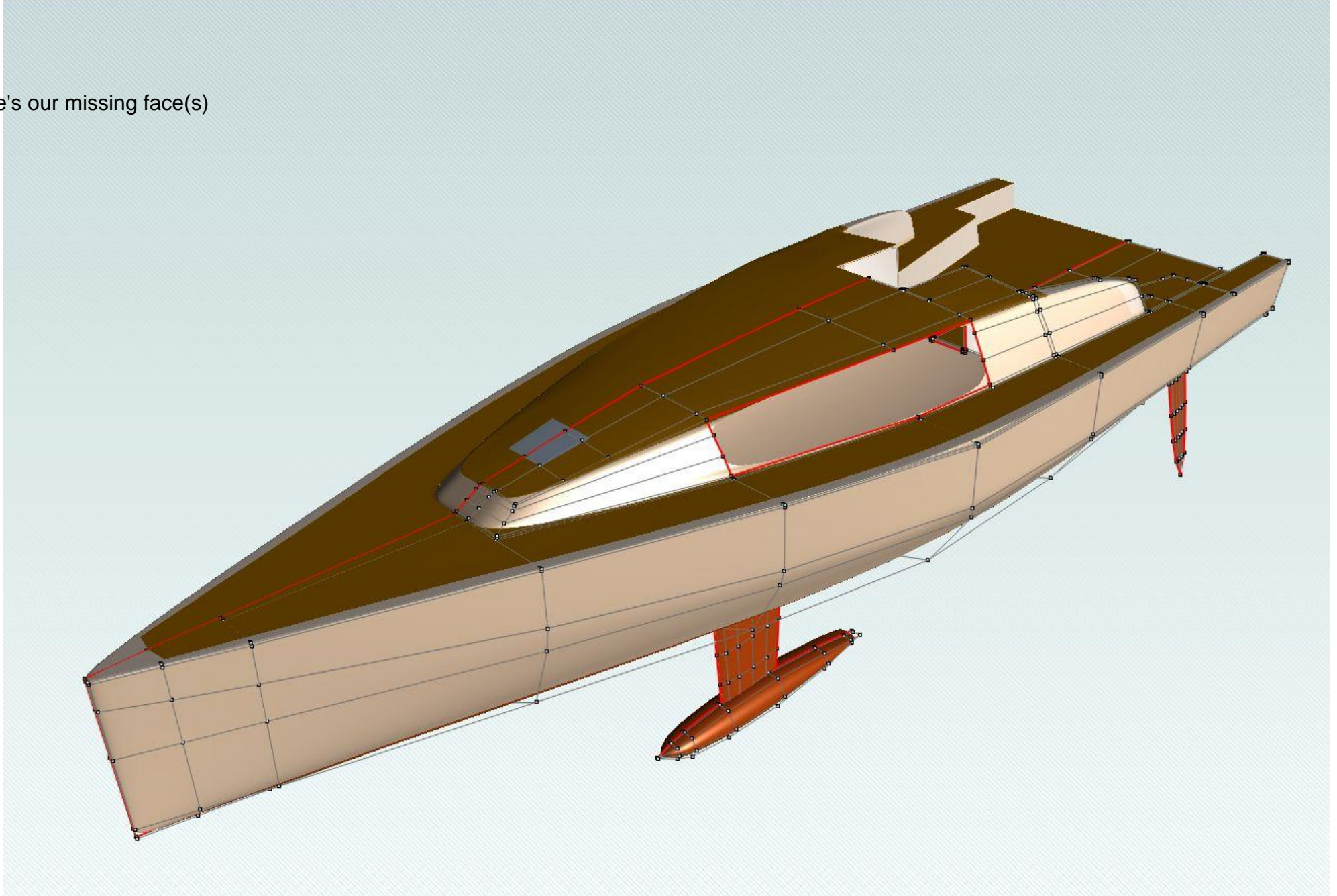


Let's suppose this as a suitable ex.  
select faces and DELETE

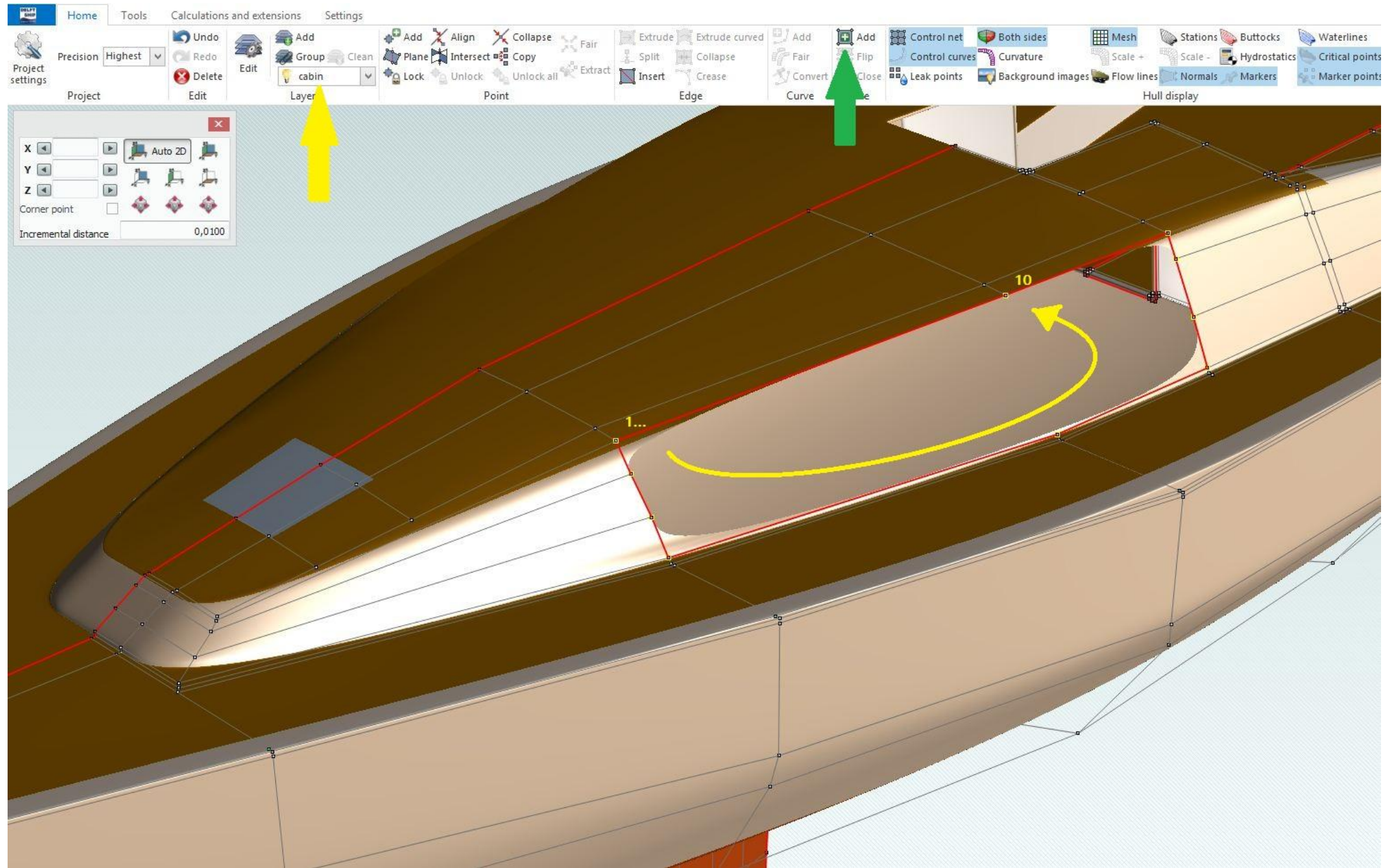




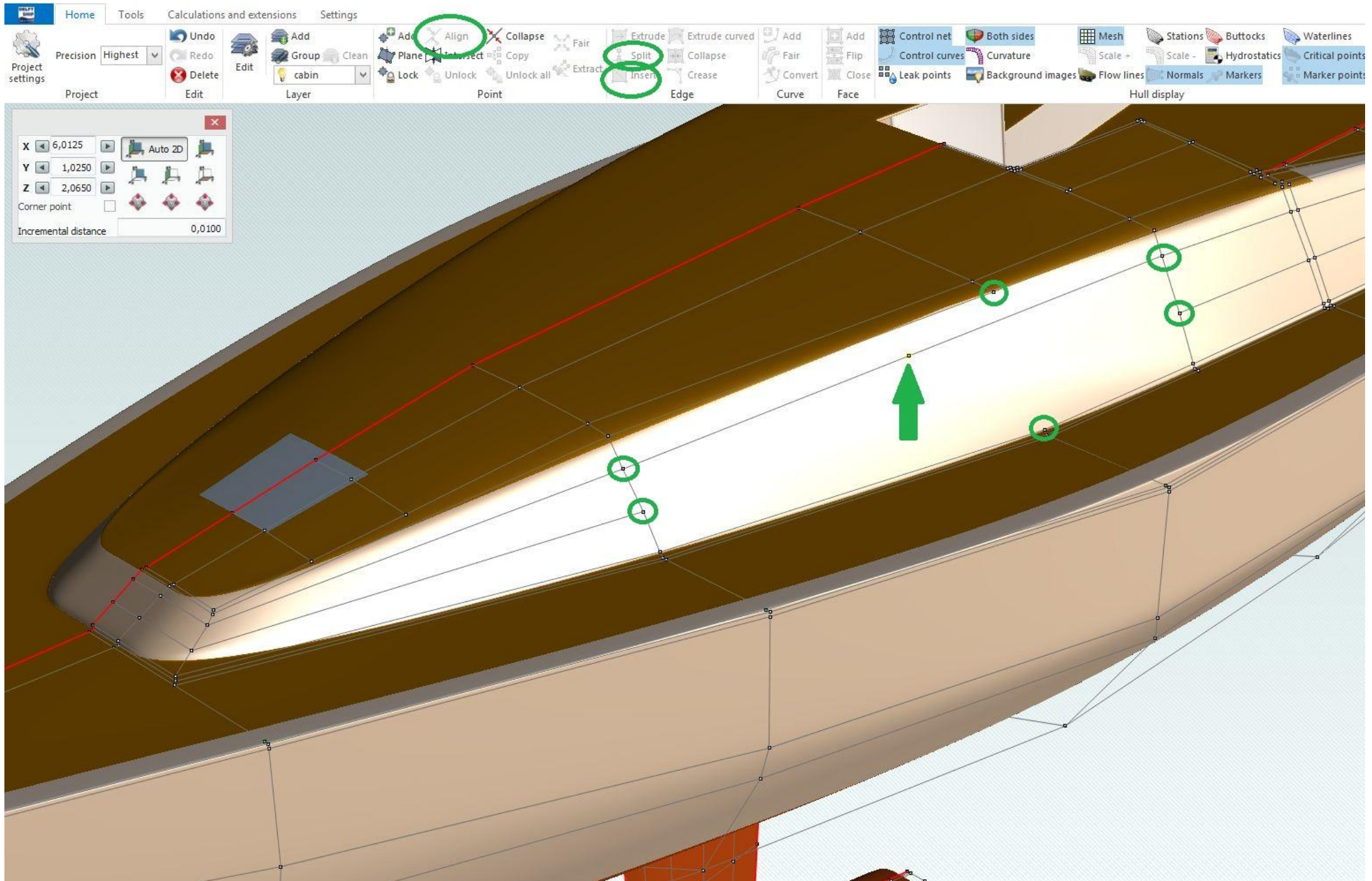
Here's our missing face(s)



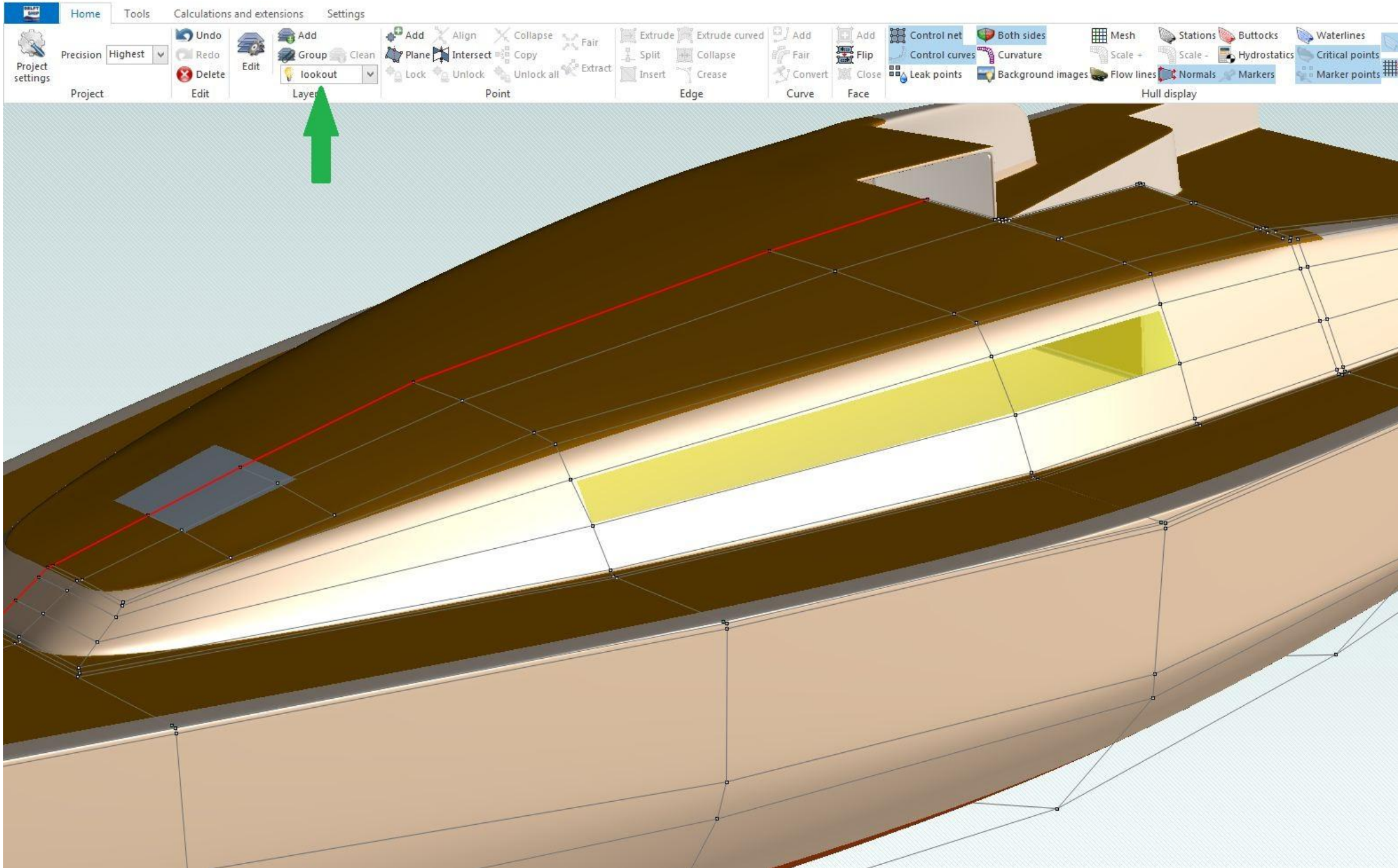
Let's repair it: select points 1 to 10 in order, assign the proper layer and ADD



now complete it with edges and points, conveniently aligned.



Last, assign proper layers.



# And here it is!

